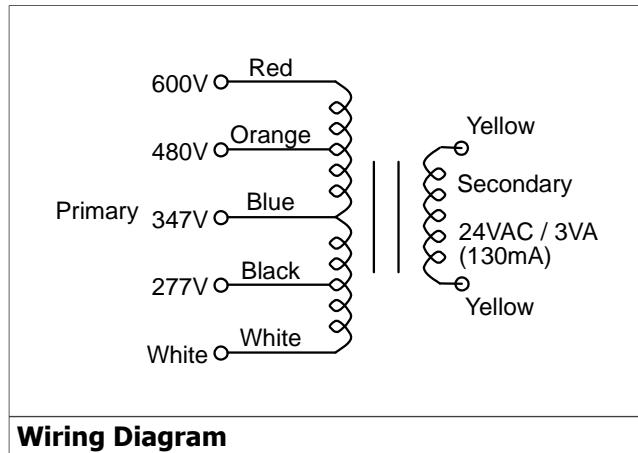
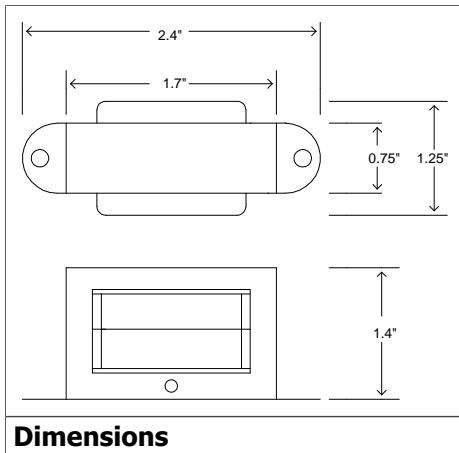
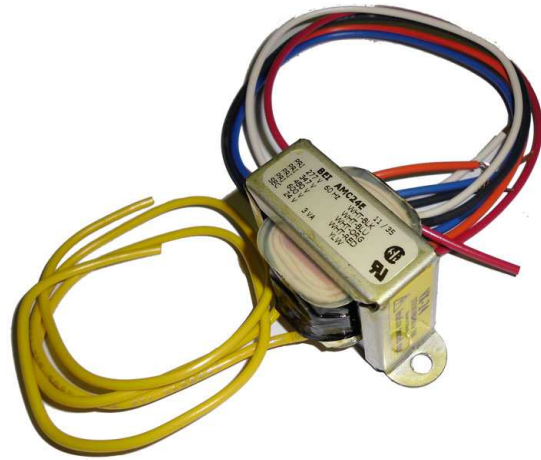



CHANNEL MOUNT MULTI-TAP VOLTAGE TRANSFORMER

FEATURES:

- ◆ Cost Effective Channel Frame Mounting
- ◆ Flying leads for easy connection to equipment
- ◆ Multi-tap design, for universal voltage applications
- ◆ Dielectric tested to UL/CSA standards.
- ◆ UL recognized



<u>Voltage</u>	<u>Input Wires</u>	<u>Output</u>
277V	White / Black	Yellow/Yellow 24VACV 0.130A (3VA)
347V	White / Blue	
480V	White / Orange	
600V	White / Red	
Primary can withstand up to 10% over voltage.		



WARNING: Unused taps must be insulated, as they will be energized through the winding!

ORDERING INFORMATION:

vx-24 fully specifies this part