

MINATURE SOLID CORE CURRENT TRANSFORMER

FEATURES:

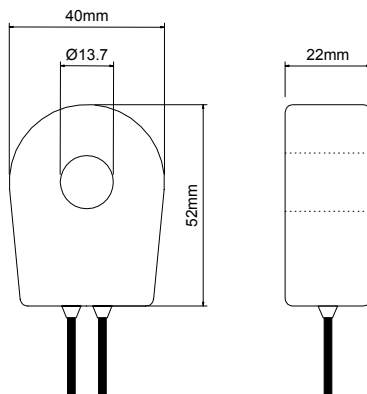
- ◆ Low cost
- ◆ mA or mV Output
- ◆ Easy Wiring
- ◆ Rugged enclosure



PRODUCT DESCRIPTION:

The MCTX current transformer provides a convenient means for non-contact isolated measurement of AC current. The CT features a high turns ratio and CRGO coil for high linearity and low phase shift, making it appropriate for accurate current or power measurement applications.

The MCTX features an internal voltage limiting device which prevents the occurrence of dangerous voltage when disconnected. Optionally, the MCTX may be ordered to output a mV AC signal proportional to the input current.



SPECIFICATIONS:

<i>Power:</i>	Self Powered from monitored line.
<i>Secondary Turns:</i>	2000
<i>Output:</i>	mA AC proportional to input current mV AC output optional (ie: 333mV full scale)
<i>Maximum Current:</i>	100A
<i>Enclosure:</i>	ABS (UL 94V-0) Plastic box 2"x1.6"x0.9"
<i>Weight:</i>	2.4 oz (68 g)
<i>Wire Window:</i>	0.54" (13.7 mm)
<i>Lead Type:</i>	8" AWG 22 UL AWM Style 1015 105°C
<i>Accuracy:</i>	0.5% error, < 0.3° Phase Shift

ORDERING INFORMATION:

MCTX- [1] - [2]

If no options are provided,
it specifies CT with mA outputs

1	mV Full Scale Output	333mV, 500mV, 1000mV (not required for mA version)
2	mV Full Scale Current	5A, 10A, 25A, 50A, 100A (not required for mA version)

Example:
MCTX
MCTX-333mV-5A

(specifies mA output)
(specifies CT with 5A input = 333mV output)