

## ECONOMICAL SOLID CORE CURRENT TRANSFORMER (mA OUTPUT)

### APPLICATIONS:

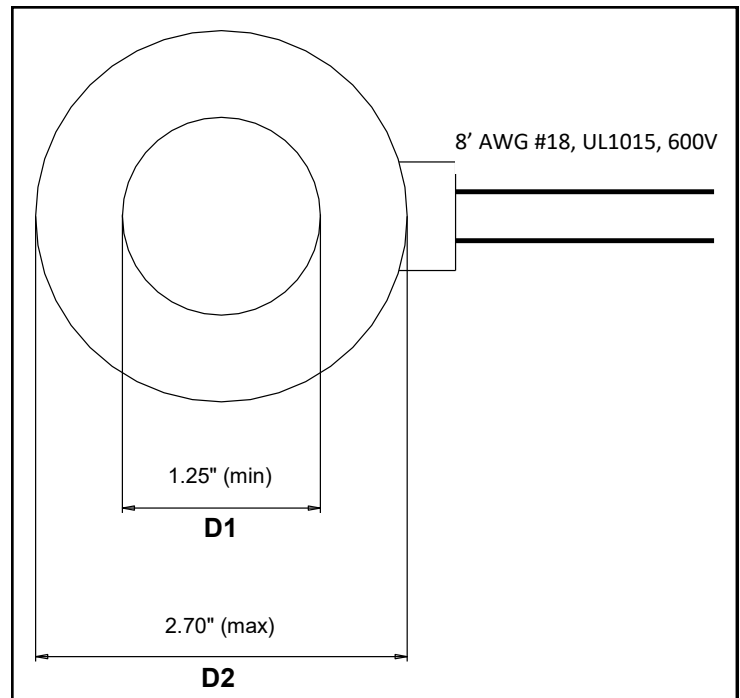
- Revenue Grade Metering
- Current Sensor for WattsOn Power Transducers
- Current Sensor for i-Spy Current Transducers
- Current Sensor for i-Snail-X Current Transducers



*Supports ANSI C12.20 and IEC 62053-22 Class 0.2 Accuracy Elkor metering systems.*

**NOTE: MCTC current sensors should be installed on insulated conductors only!**

Specifications	
Maximum Rated Current	600 A AC
Output @ 600A	150.0mA AC
Turns Ratio	4000:1
Wire Window (D1)	1.25" (31.8mm)
Outside Diameter (D2)	2.70" (68.6mm)
Insulation Class	600V; 50-60Hz
Leads	8' AWG #18, UL1015, 600V
Leads Color (X1-X2)	White-Black
Overload	200% for 5 seconds
Output Clamping	< 3VAC rms
Accuracy	0.2% (1A to 400A) *
Linearity	0.2% (1A to 400A) *
Phase Shift	< 0.05° (1A to 400A) *



**\* Exceeds ANSI C57.13-2008 Class 0.3**

*MCTLC Current Sensors are limited power devices (fractional VA).  
MCTLC feature "SAFE" outputs (shorting blocks not required).  
They contain internal voltage limiting devices that limit the output to ~12Vac RMS.*