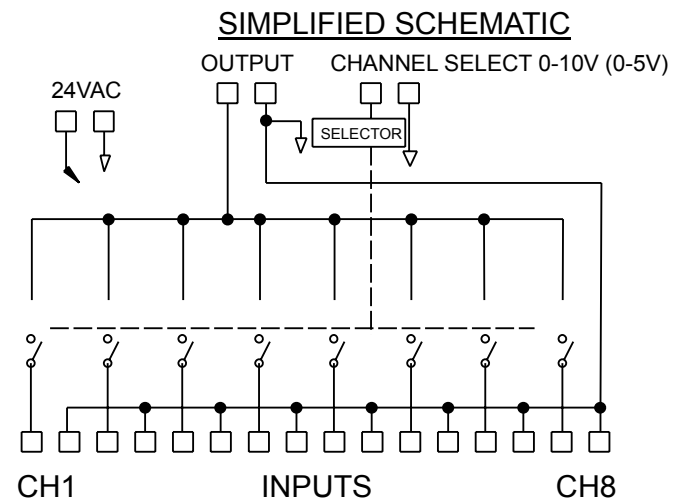


**WIRING DIAGRAM**

NOTE: 24VAC COMMON (N), INPUT COMMON (-) AND SELECT COMMON (-) ARE ELECTRICALLY CONNECTED.

- L1-L8 - LEDs INDICATING ACTIVATED CHANNEL
- L9 - POWER SUPPLY LED
- J1 - INPUT VOLTAGE SELECT 0-10 VDC NO JUMPER  
0-5 VDC JUMPER APPLIED



SELECT VOLTAGE		CHANNEL
(0-10)	(0-5)	
0	0	NO CHANNEL
1	0.5	1
2	1.0	2
3	1.5	3
4	2.0	4
5	2.5	5
6	3.0	6
7	3.5	7
8	4	8

**ELCOR Technologies Inc.**

DRAWN: PCK	TITLE: ETMUX - 8 CHANNEL UNIVERSAL MULTIPLEXER	CODE: ETMUX APL
CHECKED: CKK	FILE: ETMUX.T4G	SHEET: 1 of 1
DATE: 2007/06/07		