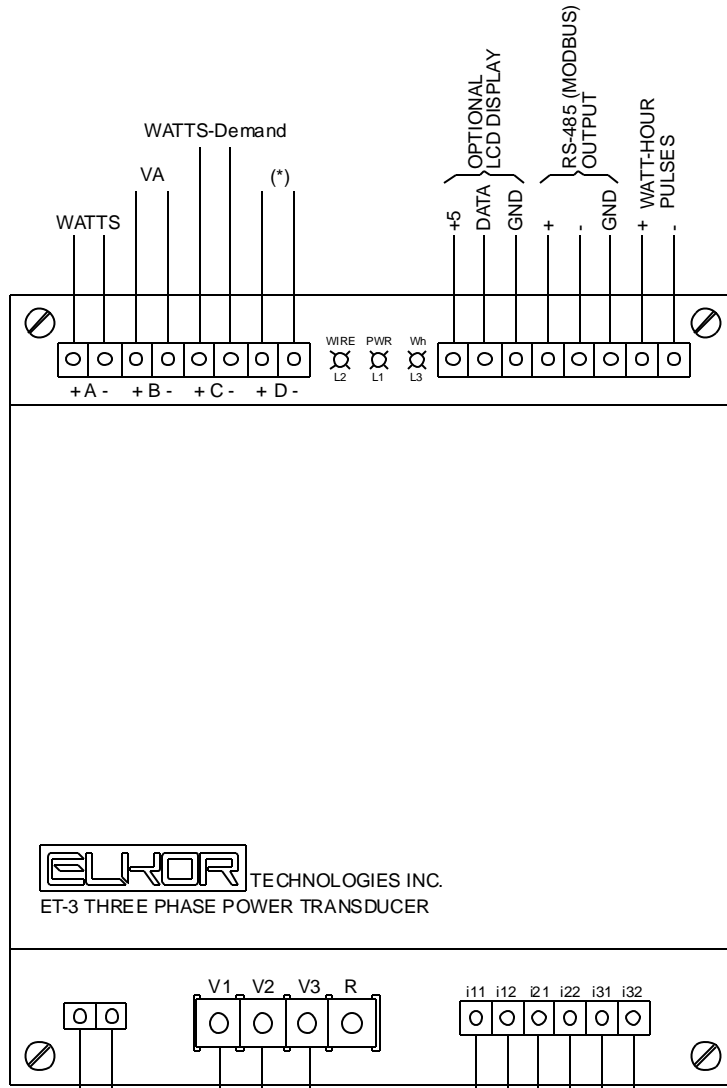


ANALOG OUTPUTS
ALL OUTPUTS 0-5VDC

DIGITAL OUTPUTS



NOTE: NO LINE VOLTAGE AT THIS SIDE

OUTPUTS 'A', 'B', & 'C' REPRESENT:

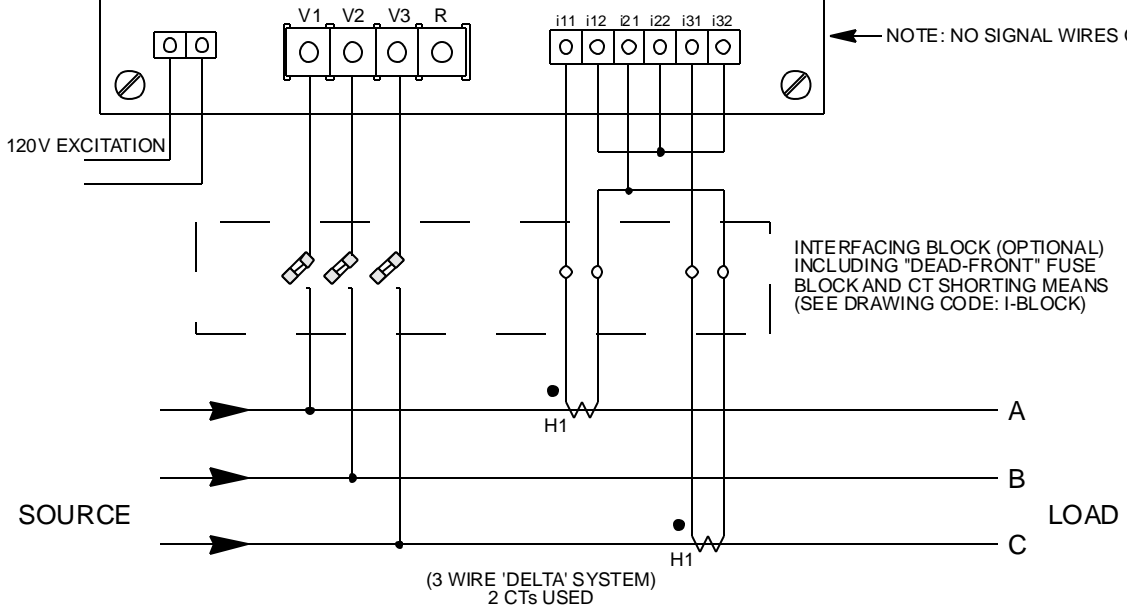
- INSTANTANEOUS REAL POWER (WATTS)
- INSTANTANEOUS APPARENT POWER (VA)
- DEMAND (WATTS-DEMAND)

(*) OUTPUT 'D' MAY BE FACTORY SET TO REPRESENT:

- INSTANTANEOUS AVERAGED VOLTAGE ($V_a+V_b+V_c/3$)
- INSTANTANEOUS AVERAGED CURRENT ($I_a+I_b+I_c/3$)
- POWER FACTOR
- FREQUENCY

ELHOR TECHNOLOGIES INC.
ET-3 THREE PHASE POWER TRANSDUCER

NOTE: NO SIGNAL WIRES ON THIS SIDE



(3 WIRE 'DELTA' SYSTEM)
2 CTs USED

ELHOR Technologies Inc.

DRAWN: PCK	TITLE: ET-3 THREE PHASE POWER TRANSDUCER (3 wire delta system)	CODE: ET-3/3W
CHECKED: CKK		
DATE: 2002/03/25	FILE: ET3 Input-Output Wiring (3 wire delta).t4g	SHEET: 1 OF 1